

tunto

tunto

Linear Lighting

#tuntolighting

Collection 2025

tuoto

Linear lighting

2025

Innovative lighting
with a soul.

Collection

LINEAR LIGHTING COLLECTION

TUNTO LIGHTING – THE PERFECT BLEND OF QUALITY AND AESTHETICS.

THE USE OF WOODEN MATERIALS AND PRECISE DETAILS ARE TUNTO LIGHTING'S TRADEMARKS. EACH FIXTURE IS CAREFULLY DESIGNED TO MEET THE EXPECTATIONS AND NEEDS OF OUR CUSTOMERS.

THE NEW COLLECTION OFFERS BETTER LIGHT QUALITY, LESS GLARE, AND MORE EFFICIENT LIGHTING, WHILE BRINGING THE AESTHETICS AND FEEL OF WOODEN MATERIALS TO ANY SPACE.

OPTICS Microprism, Honeycomb, Lenses

SLIM Pendant

L 40 Pendant

L 60 Fix & Pendant

L 120 Fix & Pendant

SQUARE Fix & Pendant

CURVE Pendant

2 LINES canopy

TUNTO Switch

CASAMBI

CONTENT



Linear Lighting

TUNTO

PRODUCTS COMBINE:

Advanced optics, Premium materials and Cutting-edge technology.

ENSURE:

Exceptional efficiency, Low glare and seamless integration into any space.

SUITABLE FOR:

Offices, Hospitality and Public buildings

Enhance functionality while maintaining a sophisticated aesthetic.

Collection

THE TUNTO LINEAR LIGHTING COLLECTION OFFERS THREE DIFFERENT OPTICAL OPTIONS

MICROPRISM

Distributes light evenly across the surface, like light illuminating a shimmering lake, creating efficient lighting without pinpoint sources.

HONEYCOMB

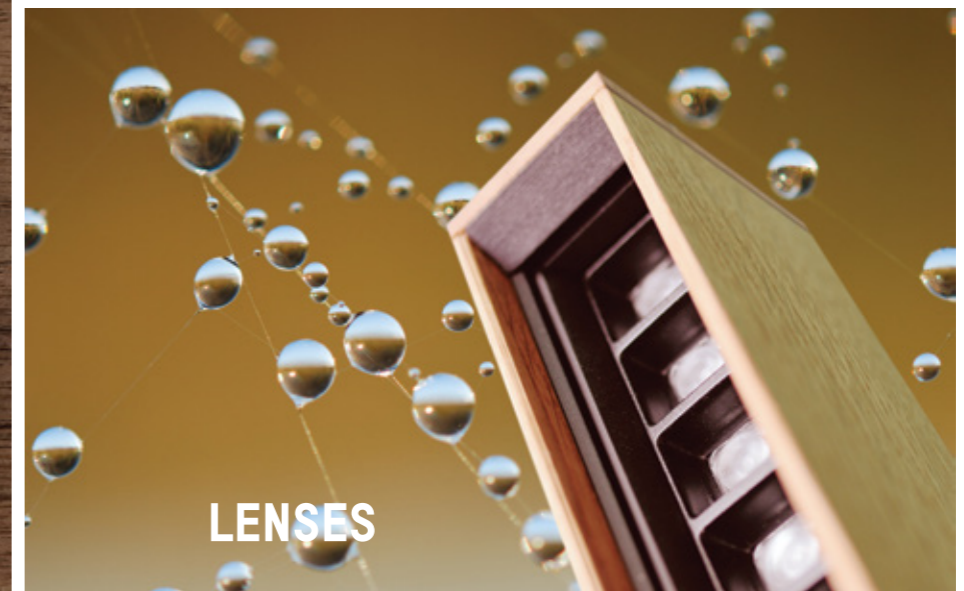
Filters light like sunlight through tree leaves, diffusing it without glare and in a controlled manner.

LENSES

Produce highly efficient light that targets specific areas, like water droplets reflecting light.

All of these are natural ways to achieve lighting, emphasizing efficiency and precision.

Optics



Minimalist and precise.
The ultra-sleek Slim Pendant
delivers focused, low-glare
illumination with advanced
lens technology.

Slim Pendant

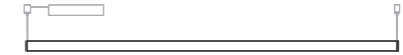
TUNTO

SLIM PENDANT

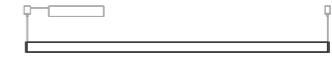
1700 mm 24 W



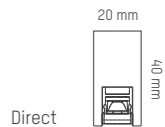
1420 mm 20 W



1140 mm 15 W



860 mm 12 W



Drivers / Power Box

DALI, PUSH DIM	LCM40DA
CASAMBI DIM	LCM40BLE

Optics

Lenses

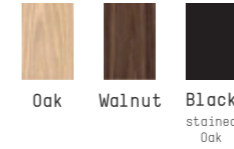




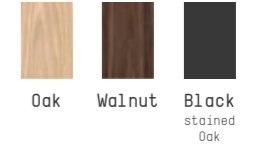
TUNTO

TECHNICAL SPECIFICATIONS

Available colors and materials



End cap color

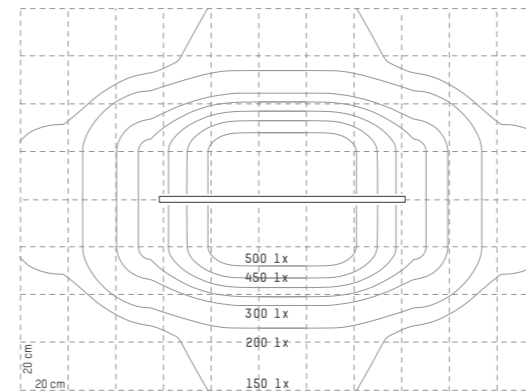


Surface Finish Oak, Walnut: Oil wax,
Black Lacquer

Optics Lenses



Slim 1140 pendant lx / measured 1.0 m on the table



Drivers / Power Box

500 mA	DALI, PUSH DIM	LCM40DA
	CASAMBI DIM	LCM40BLE

Rated Power	22-26 W	Kelvin	2700 K, 3000 K, 3500 K, 4000 K
Voltage	180-295V 50/60 Hz,		Lumen
Output	25-32V 500 mA		1200 mm / 1300 lm
Cord Length	Pendant, standard 3 m, 2,7mm transparent.	CRI	93
Power Box	White ceiling cup 220 x 100 x 35 mm RAL 9003 fine efekt	Package Size	130 x 110 x 1060-1260 mm
		Package Weight	2-2,3 kg

INDOOR USE ONLY

NON-USER REPLACEABLE LIGHT SOURCE

IP20

CE



Collection



Refined and functional. The L 40 Pendant Lamp integrates microprism, honeycomb, and lens optics for exceptional low-glare lighting.

L 40 Pendant

TUNTO

L 40 PENDANT

1720 mm 28 W



1440 mm 24 W



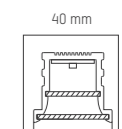
1160 mm 20 W



880 mm 15 W



Direct



Drivers / Power Box

DALI, PUSH DIM	LCM40DA
CASAMBI DIM	LCM40BLE

OPTICS

Microprism, Honeycomb, Lenses



M



H



L

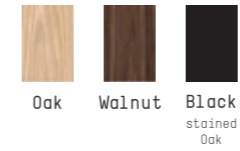


L 40

TUNTO

TECHNICAL SPECIFICATIONS

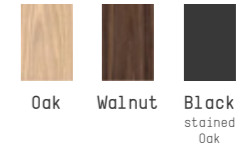
Available colors and materials



Oak Walnut Black stained Oak

Surface Finish Oak, Walnut: Oil wax, Black Lacquer

End cap color

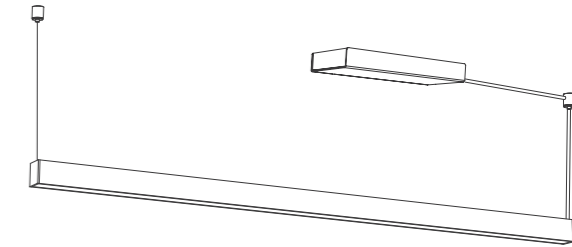
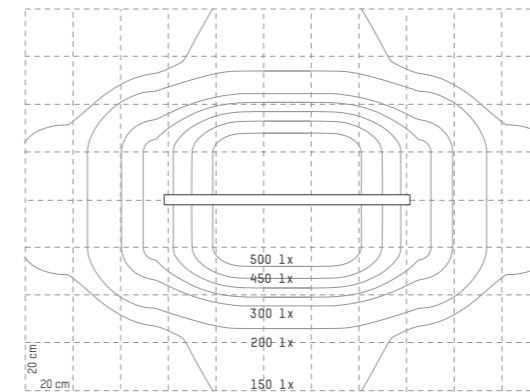


Oak Walnut Black stained Oak

Optics Microprism, Honeycomb, Lenses



L 40 1040 mm pendant lx / measured 1.0 m on the table



Drivers / External

500 mA	DALI, PUSH DIM	LCM40DA
	CASAMBI DIM	LCM40BLE

Drivers / External, Tunable white

500 mA	DALI, PUSH DIM	HLC45
	CASAMBI DIM	TRILC

Rated Power	15-28 W	Kelvin	2700 K, 3000 K, 3500 K, 4000 K
Voltage	220-240V 50/60 Hz,	Lumen	2700-6500K tunable white
Output	24-48V 350-900 mA, (standard 500mA)		1040 mm / 1300 lm
Cord Length	Standard 3 m, Transparent 5 mm, 6 mm with Tunable white.	CRI, UGR	1340 mm / 1660 lm, 1640 mm / 1950 lm
Power Box	Ceiling cup 220 x 110 x 35 mm White RAL 9003 fine efekt	Package Size	100 x 115 x 1080-1680 mm
		Package Weight	1,5-3 kg

INDOOR USE ONLY

NON-USER REPLACEABLE LIGHT SOURCE

IP20

CE



Collection

Bold performance in a timeless form.
The L 60 Pendant Lamp pairs solid wood
with precision optics for a distinguished,
low-glare atmosphere.

LINEAR

L 60

TUNTO







Collection

Small yet powerful.
The L 60 FIX Lamp mirrors the pendant's performance, delivering high-comfort illumination in demanding spaces.

L 60 Fix

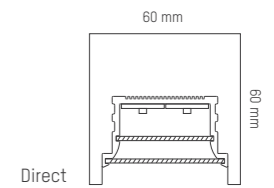
TUNTO

L 60 FIX

880 mm	28 W		Built-in / Casambi DIM, PUSH DIM
880 mm	28 W		External
600 mm	20 W		Built-in / Casambi DIM, PUSH DIM
600 mm	20 W		External
320 mm	12 W		Built-in / non-dimmable
320 mm	12 W		External

Optics

Microprism, Honeycomb, Lens



Drivers / Built-in

Casambi DIM, PUSH DIM	CASBI
-----------------------	-------

Drivers / External

DALI, PUSH DIM	LCM40DA
CASAMBI DIM	LCM40BLE



L60 Pendant

TUNTO

L 60 PENDANT

2280 mm	2 X 37 W	
2000 mm	2 X 32 W	
1720 mm	2 X 28 W	
1440 mm	48 W	
1160 mm	37 W	
880 mm	28 W	

Optics

Microprim, Honeycomb, Lenses



Drivers / External

DALI, PUSH DIM	LCM60DA
CASAMBI DIM	LCM60BLE

Collection

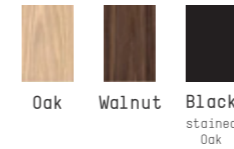


L 60

TUNTO

TECHNICAL SPECIFICATIONS

Available colors and materials

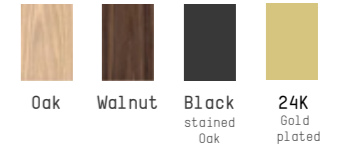


Oak Walnut Black stained Oak

Surface Finish

Oak, Walnut: Oil wax, Black Lacquer

End cap color



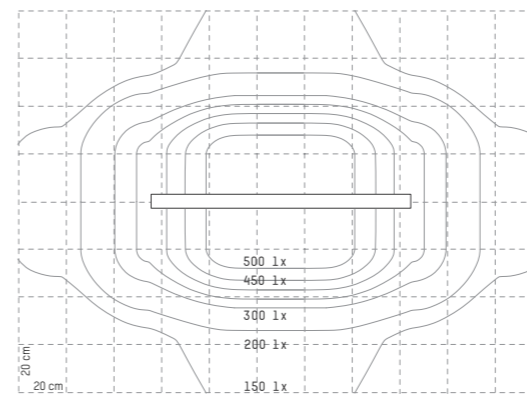
Oak Walnut Black stained Oak 24K Gold plated

Optics

Microprism, Honeycomb, Lenses



L 60 1160 mm pendant lx / measured 1.0 m on the table



Drivers / Power Box

500 mA	DALI, PUSH DIM	LCM40/60DA
	CASAMBI DIM	LCM40/60BLE

Drivers / Built-in

700 mA	CASAMBI DIM, PUSH DIM	CASBI
--------	-----------------------	-------

Rated Power	Fix 12-48 W, Pendant 2x 24-37 W	Kelvin	2700 K, 3000 K, 3500K, 4000 K
Voltage	180-295V 50/60 Hz,	Lumen	320 mm / 1060 lm, 600 mm / 2000 lm, 880 mm / 2000 lm, 1160mm / 2870 lm, 1440 / 3670 lm, 1720mm / 4670lm, 2000mm / 6000 lm, 2280mm / 7300 lm
Output	32-62V 350-900 mA, (standard 500mA)	CRI	93
Cord Length	Pendant, standard 3 m, transparent. FIX, standard 3 m, Max 20 m.	Package Size	130 x 110 x 600-2500 mm
Power Box	White ceiling cup 220 x 110 x 35 mm or 430 x 110 x 35 mm, RAL 9003 fine efekt	Package Weight	3,5-14,5 kg

INDOOR USE ONLY

NON-USER REPLACEABLE LIGHT SOURCE

IP20

CE



Collection

Versatile layered lighting. The L 120 Pendant Lamp offers controlled up-and-down illumination with customizable optics for ambiance and precision.

L 120

TUNTO







Collection

Structured and dynamic. The L 120 FIX Lamp provides functional and ambient lighting with tailored optics in a fixed installation.

L 120 fix

TUNTO

L 120 FIX

880 mm	28 W		Built-in / Casambi DIM, PUSH DIM
880 mm	28 W		External
600 mm	20 W		Built-in / Casambi DIM, PUSH DIM
600 mm	20 W		External
320 mm	12 W		Built-in / non-dimmable
320 mm	12 W		External

Optics

Microprism, Honeycomb, Lenses



M



H



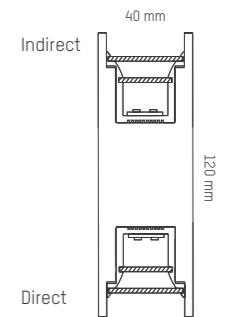
L

Drivers / Built-in

CASAMBI DIM, PUSH DIM	CASBI
-----------------------	-------

Drivers / External

DALI, PUSH DIM	LCM40DA
CASAMBI DIM	LCM40BLE





L 120 pendant

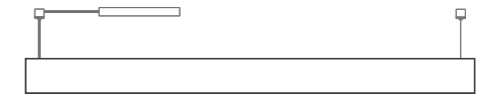
TUNTO

L 120 PENDANT

2280 mm 2 x 37 W



2000 mm 2 x 32 W



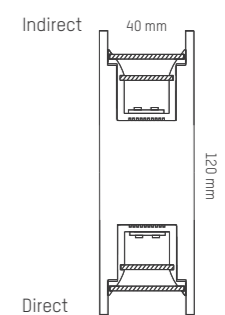
1720 mm 2 x 28 W



1440 mm 2 x 24 W



1160 mm 2 x 20 W



880 mm 2 x 15 W



Optics

Microprism, Honeycomb, Lenses



M



H



L

Drivers / External

DALI, PUSH DIM	LCM40DA
CASAMBI DIM	LCM40BLE

Drivers / External, Tunable white

DALI, PUSH DIM	HLC45
CASAMBI DIM	TRILC

Collection

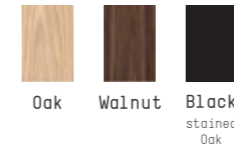


L 120

TUNTO

TECHNICAL SPECIFICATIONS

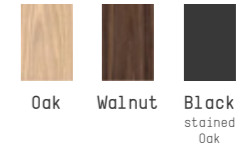
Available colors and materials



Oak Walnut Black stained Oak

Surface Finish Oak, Walnut: Oil wax, Black Lacquer

End cap color

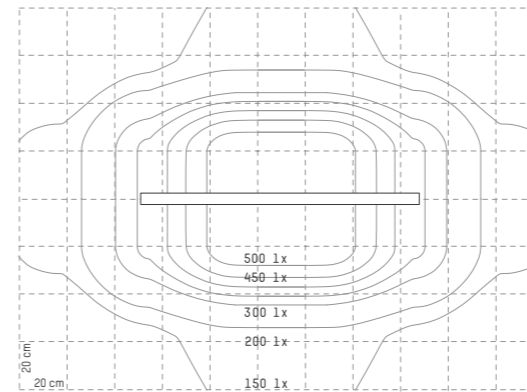


Oak Walnut Black stained Oak

Optics Microprism, Honeycomb, Lenses



L 120 1160 mm pendant lx / measured 1.0 m on the table



Drivers / External

500 mA	DALI, PUSH DIM	LCM40DA
	CASAMBI DIM	LCM40BLE

Drivers / Built-in

700 mA	CASAMBI DIM, PUSH DIM	CASBI
--------	-----------------------	-------

Drivers / External, Tunable white

500 mA	DALI, PUSH DIM	LC38
	CASAMBI DIM	TRILC

Rated Power	Fix 12-28 W, Pendant 2 x 15-37 W	Kelvin	2700 K, 3000 K, 3500 K, 4000 K Tunable white 2700-6500 K
Voltage	180-295V 50/60 Hz,	Lumen	200mm / 300 lm, 400 mm / 800 lm, 700 mm / 1500 lm, 1040m / 2200 lm, 1340mm / 3260 lm, 1640mm / 3600 lm
Output	fix 16-48V, pendant 2 x 15-62V, 350-900 mA, (standard 500mA)	CRI, UGR	93, UGR<19
Cord Length	Pendant, standard 2 m, transparent. FIX, standard 3m, Max 20m.	Package Size	120 x 110-200 x 300-1700 mm
Power Box	White ceiling cup 430 x 110 x 35 mm RAL 9003 fine efekt	Package Weight	3,5-8 kg

INDOOR USE ONLY

NON-USER REPLACEABLE LIGHT SOURCE

IP20

CE



Collection

LINEAR

Geometry meets natural warmth. The Square Pendant Lamp, combining crisp lines and solid wood elegance with high-performance optics for optimal illumination and comfort.

Square






The Square FIX Lamp features a fixed installation, combining solid wood and precision optics for optimal low-glare illumination with a touch of elegance.

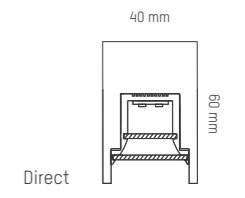


Square Fix

TUNTO

SQUARE FIX

1440 mm	24 W		External
1160 mm	20 W		External
880 mm	15 W		External
600 mm	12 W		External
320 mm	7 W		External



OPTICS

Microprism, Honeycomb, Lenses



Drivers / External

DALI, PUSH DIM	LCM40DA
CASAMBI DIM	LCM40BLE

Drivers / External, Tunable white

DALI, PUSH DIM	HLC45
CASAMBI DIM	TRILC

LINEAR

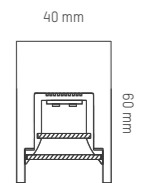
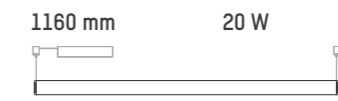
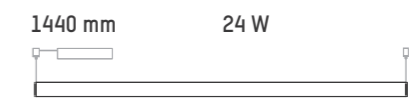
Collection



Square Pendant

TUNTO

SQUARE PENDANT



OPTICS

Microprism, Honeycomb, Lenses



Drivers / External

DALI, PUSH DIM	LCM40DA
CASAMBI DIM	LCM40BLE

Drivers / External, Tunable white

DALI, PUSH DIM	HLC45
CASAMBI DIM	TRILC

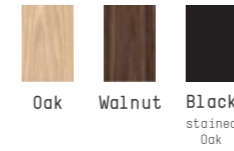


Square

TUNTO

TECHNICAL SPECIFICATIONS

Available colors and materials



Oak Walnut Black stained Oak

Surface Finish

Oak, Walnut: Oil wax, Black Lacquer

End cap color



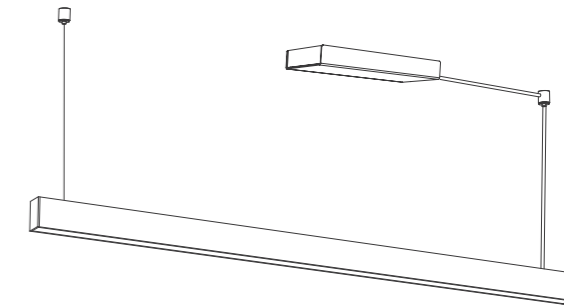
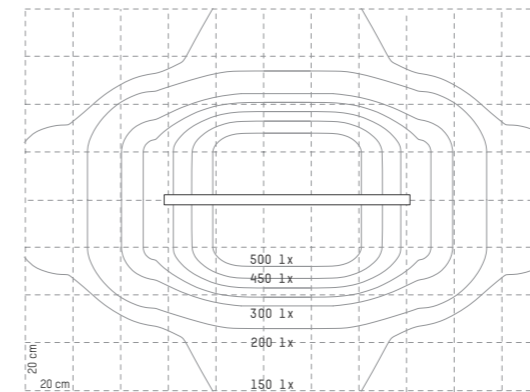
Oak Walnut Black stained Oak

Optics

Microprism, Honeycomb, Lenses



Square 1040 mm pendant lx / measured 1.0 m on the table



Drivers / External

500 mA	DALI, PUSH DIM	LCM40DA
	CASAMBI DIM	LCM40BLE

Drivers / External, Tunable white

500 mA	DALI, PUSH DIM	HLC45
	CASAMBI DIM	TRILC

Rated Power	Fix 7-24 W, Pendant 15-32 W	Kelvin	2700 K, 3000 K, 3500 K, 4000 K
	Voltage		220-240V 50/60 Hz,
Output	24-56V 350-900 mA, (standard 500mA)	CRI, UGR	1040 mm / 1300 lm
Cord Length	Standard 3 m, Transparent 5 mm, 6 mm with Tunable white.		Package Size
		Power Box	
			1,5-3 kg

INDOOR USE ONLY

NON-USER REPLACEABLE LIGHT SOURCE

IP20

CE



Collection

Soft contours meet precision lighting. The Curve Pendant Lamp redefines linear design with its gracefully rounded top, integrating advanced optics for low-glare illumination, enhancing interiors with both comfort and harmonious design.

Curve

TUNTO

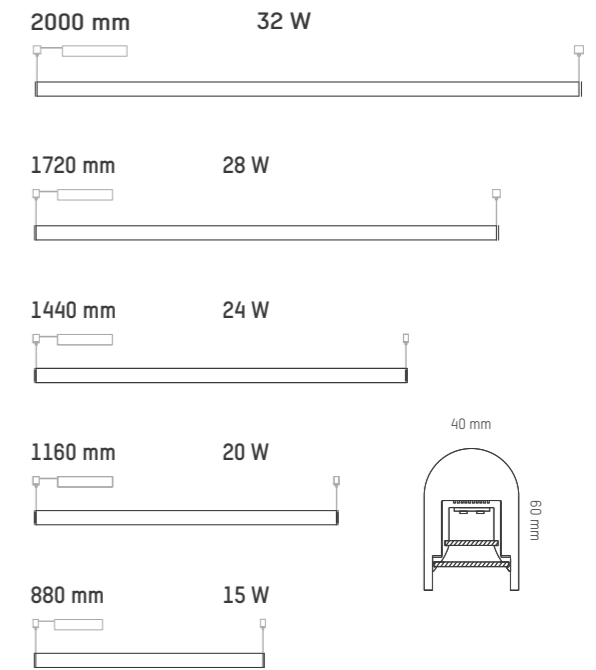
Collection



Curve Pendant

TUNTO

CURVE PENDANT



OPTICS

Microprism, Honeycomb, Lenses



Drivers / External

DALI, PUSH DIM	LCM40DA
CASAMBI DIM	LCM40BLE

Drivers / External, Tunable white

DALI, PUSH DIM	HLC45
CASAMBI DIM	TRILC

LINEAR

Collection

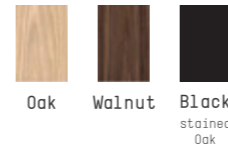


Curve

TUNTO

TECHNICAL SPECIFICATIONS

Available colors and materials

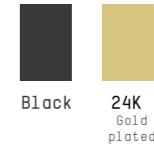


Oak Walnut Black stained Oak

Surface Finish

Oak, Walnut: Oil wax, Black Lacquer

End cap color



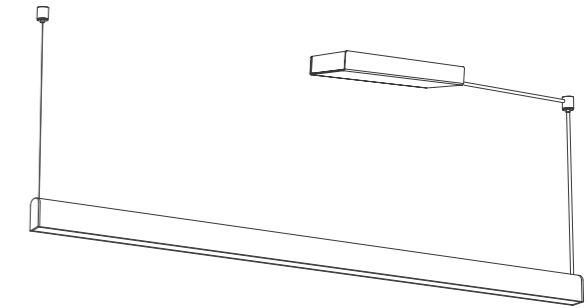
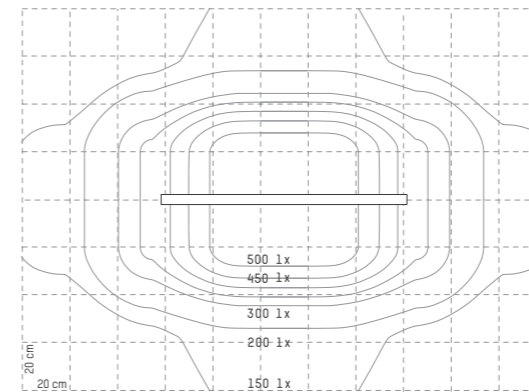
Black 24K Gold plated

Optics

Microprism, Honeycomb, Lenses



Curve 1040 mm pendant lx / measured 1.0 m on the table



Drivers / External

500 mA	DALI, PUSH DIM	LCM40DA
	CASAMBI DIM	LCM40BLE

Drivers / External, Tunable white

500 mA	DALI, PUSH DIM	HLC45
	CASAMBI DIM	TRILC

Rated Power	15-32 W	Kelvin	2700 K, 3000 K, 3500 K, 4000 K
	Voltage		220-240V 50/60 Hz,
Output	24-56V 350-900 mA, (standard 500mA)	Lumen	1040 mm / 1300 lm
Cord Length	Standard 3 m, Transparent 5 mm, 6 mm with Tunable white.	CRI, UGR	1340 mm / 1660 lm, 1640 mm / 1950 lm
			93, UGR<19
Power Box	Ceiling cup 220 x 110 x 35 mm White RAL 9003 fine efekt	Package Size	100 x 115 x 1080-1680 mm
		Package Weight	1,5-3 kg

INDOOR USE ONLY

NON-USER REPLACEABLE LIGHT SOURCE

IP20

CE



Collection



2lines Canopy

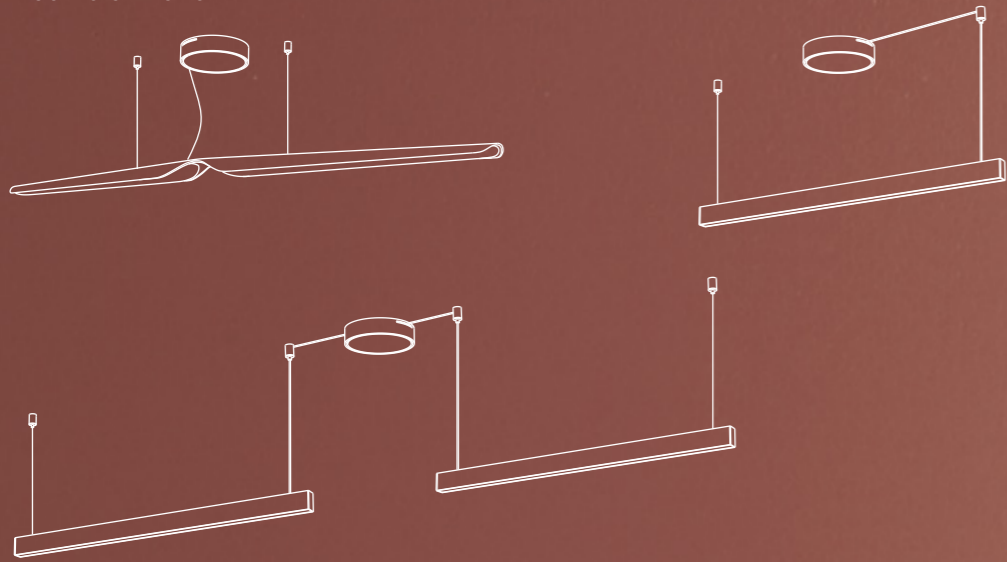
TUNTO



The 2lines canopy ensures an aesthetic and detailed finish for TUNTO linear lights.

Collection

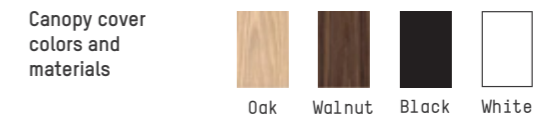
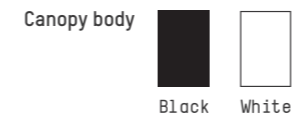
USING OPTIONS



2lines Canopy

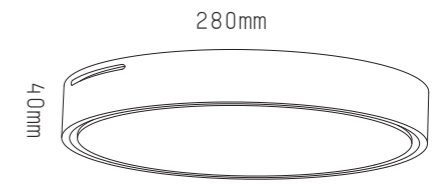
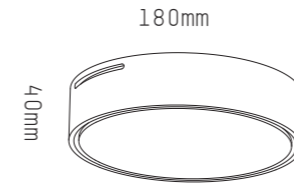
TUNTO

TECHNICAL SPECIFICATIONS



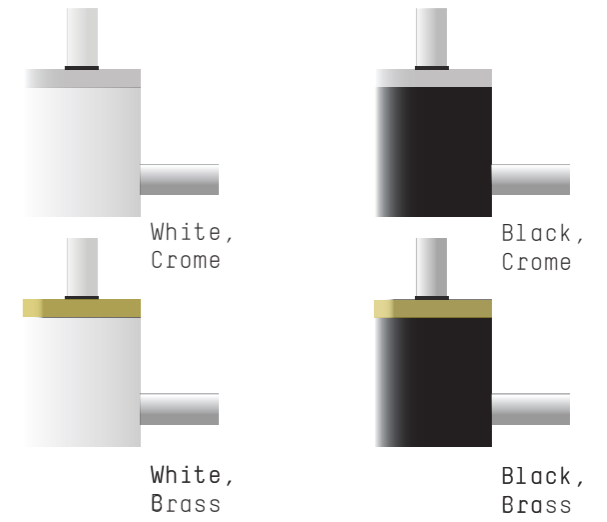
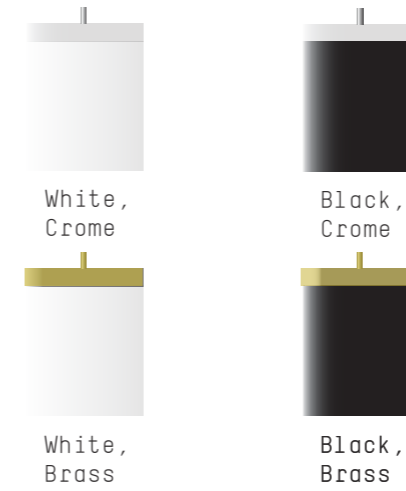
Canopy sizes

Wood Surface Finish: Lacquer



Wire holders

Cable holders, 5 mm and 6 mm round cable



Canopy	180 mm x 40 mm, 280 mm x 40 mm	Holders	White or Black POM plastic, Crome or Brass metal part,
Canopy color	White RAL 9003 fine efekt Black RAL 9005 fine efekt	Package Size	180mm size, 240 x 220 x 65 mm, 280mm size, 320 x 290 x 70 mm,
Cover material	Oak and Walnut Plywood Black and White laminate	Package Weight	1,5 - 2 kg

INDOOR USE ONLY

IP20

CE



Collection

A SWITCH LIKE A PIECE OF JEWELRY.

Inspired by the sophisticated and precious design language of fine jewelry, Tunto Switch is a state-of-the-art wireless switch that is compatible with the Casambi system.

This elegant switch brings a new level of style and technology for easy, intuitive dimming and light control.



TUNTO Switch

EnOcean is wireless and self-powered. It can be used as a handheld device or easily attached to any surface. It works both as an on/off switch and a dimming controller.



TUNTO Switch





TUNTO Switch

TUNTO

TECHNICAL SPECIFICATIONS

MODELS

Frame & rocker colors

Single

Double



24K
Black



24K
Black



24K
White



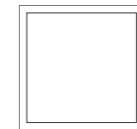
24K
White



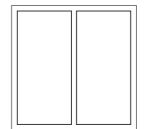
Black



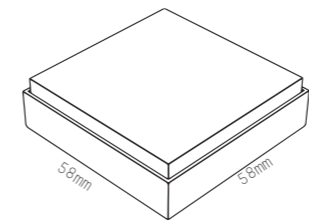
Black



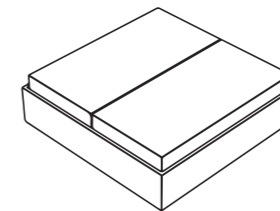
White



White



15mm



Radio protocol	Bluetooth, BLE	Operating temp.	-25°C to +65°C
Radio frequency	2.403-2480 GHz	Relative humid.	0% to 95%, dry rooms only
Transm. Power	0.4 dBm / 1.1 mW		
Radio Range	Indoor typ.10 m	Package Size	175 x 125x 32 mm
Radio approvals	RED/FCC/ISED	Package Weight	0,28 kg
Countries	EU/US/CA		
Energy Source	Electro-dynamic energy converter min.		
Switch Cycles	50.000 (EN 60669 / VDE 0632)		

INDOOR USE ONLY

IP20

CE



Collection



Casambi

TUNTO

CASAMBI APP

With Casambi you can control your LED lights to create just the right mood or ambience.



Collection



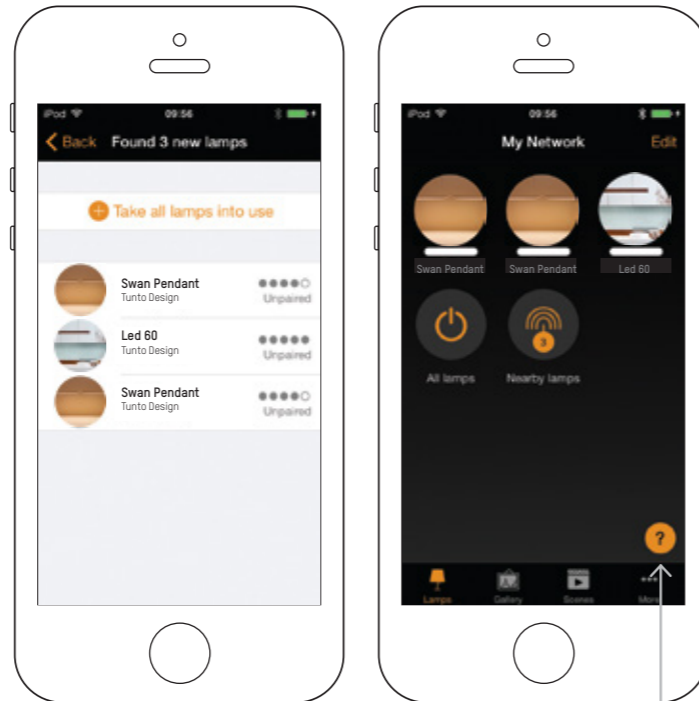
CASAMBI APP

With Casambi you can control your LED lights to create just the right mood or ambience.

FIRST TIME USE

Casambi app is easy to take into use. Follow these simple steps.

1. Download the app from Apple App Store or Google Play Store.
2. Turn on your Casambi enabled luminaires.
3. Open the app.
4. Casambi app will automatically find all Casambi enabled luminaires that are switched on.
5. Tap on the 'Take all lamps into use'.
6. Casambi app will automatically add all luminaires to one network and open the 'Lamps' tab.



If further help is needed there are question marks on every page of the app to help in using it. FAQ can be found from the More tab under Help.



DIMMING

With Casambi enabled light fixtures it is possible to use regular power or wall switches for dimming and no extra dimmers are needed. Here are three simple steps to create a nice ambience for your home.

1. To start the dimming process, just quickly switch off and on the light fixture from the wall or power switch. After flicking the switch the dimming process will start.
2. Once the light has reached the desired brightness level just flick the power or wall switch quickly again, off and on, to save the current level as new default brightness for the light fixture.
3. It is always possible to change the default brightness by starting the dimming process over again.

GALLERY

The Gallery in Casambi app is the most intuitive way of controlling your luminaires. Take a picture of the room where your luminaires are and place lamp controls over them in the picture.

1. Add a photo of your room to Casambi Gallery by tapping 'Edit' and after that the '+' sign.
2. Add lamp controls to the picture. Tap on the '+' sign and select a lamp control that you want to add to the picture.
3. When you have added controls over all the luminaires in the picture tap 'Done'.
4. Control your luminaires visually from the picture. No need to guess which luminaire is which.

TUNTO lighting

Tekijänkatu 8
FI-04440 Järvenpää, Finland
Tel. +358 10 421 3000
mail@tunto.com
www.tunto.com

Mikko Kärkkäinen
CEO & DESIGNER

mikko@tunto.com
+358 40 52 82 577

Tiina Tikkinen
Head of Marketing

tiina@tunto.com
+358 40 168 2133

Alex Lussmann
Head of Accounts & Sales

alex@tunto.com
+358 50 554 9660

The logo for Tunto, featuring the word "Tunto" in a white, dotted, sans-serif font. The background of the logo area is a light wood grain texture.

MAIL@TUNTO.COM | WWW.TUNTO.COM